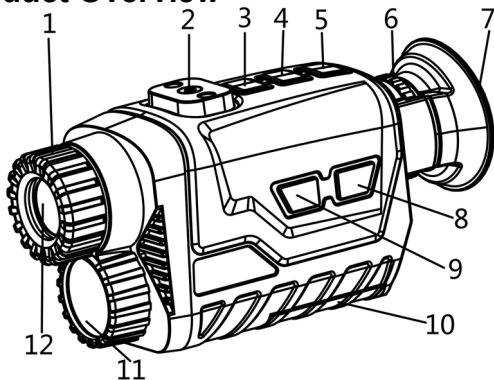


User Manual

Contents

PRODUCT OVERVIEW	3
SPECIFICATION	4
ABOUT CHARGE	5
INSERTING MEMORY CARD	5
BASIC OPERATION	6
TURN ON AND TURN OFF	6
NIGHT VISION ENHANCED MODE	7
NEW AND SPECIAL COLOR EFFECTS:	7
EYEPIECE AND OBJECTIVE ADJUSTMENT	8
CHANGING THE MODES	9
TAKING PICTURES	9
RECORDING VIDEO	11
DEVICE POWER OFF	13
POOR IMAGE	14
IR – LED (NIGHT VISION FUNCTION).....	14
SETTINGS IN PHOTO AND VIDEO MODE	15
PLAYBACK.....	17
THE USE METHOD OF STRAPPING PORTABLE HEAD MOUNT	19
DOWNLOAD FILES TO PC	20
NOTES ON CLEANING	22

Product Overview



1.Objective manual focus wheel	2.Bracket fixing screw
3.IR Up/Zoom in/Up Button	4.IR Down/Zoom out/ Down Button
5.Shutter /OK button	6.Eyepiece diopter adjusting wheel
7.Eyepiece/Display	8.Menu/Mode Button
9.Power Button	10.USB interface/reset port, charging indicator /TF card slot
11. Infrared light transmitter	12.Objective lens

Specification

Photo Resolution: 360P enhanced night vision 、 1M、 2M、 3M、 5M、 8M、 12M、 36M

Video Resolution: 360P 360P enhanced night vision、 HD、 FHD、 4K

Lens:F1.2 Large aperture, f=25mm, automatic infrared filter, FOV=10°

Display: Built-in 1.4-inch 390(RGB)*390 HD screen with 7 levels of brightness adjustment

Memory card: up to 32GB

USB port: TYPE-C

Auto Power Off: Off/1min/3min/5min/10min

Infrared light: 3W, 850nm strong infrared spotlight, 7 levels of infrared adjustment

Viewing distance in complete darkness: about 350-400 meters

Low-light sight distance: 1 meters to infinity

Digital zoom: 8x digital zoom

Color effects: color, black and white, luminous green, infrared light

Power supply: 3000MAH polymer lithium battery

Date Stamp: Supports setting date and time. Date and time stamp on photo and video files

Operation buttons: 5 buttons

Operating temperature: -20 ° C to +50 ° C Storage temperature -30 ° C to +60 ° C

Size and weight: around. 120*43*59 mm / 167 g

Accessories: USB cable, manual, hand rope, cloth bag, strapping portable head mount

About Charge

The device has a built-in rechargeable battery, please fully charge it before first use.

Please use a universal USB power adapter (DC 5V/2A) (power adapter not included) to charge this machine. When charging, the charging indicator on the left side of the TYPE-C USB port will turn red; when fully charged, the charging indicator will turn off. (If the device is completely out of power, it can be fully charged in about 4 hours)

Inserting Memory Card

◆ Please prepare a Class 10 Micro card (up to 32GB) in

advance.

- ◆ Open the card slot cover, you will see the card slot.
- ◆ Insert the Micro SD card into the slot. Make sure the direction is right. Never insert the card forcibly.
- ◆ Format the Micro SD card, to improve battery life and shutter speed as well as improve the compatibility of Micro SD card.
- ◆ To remove the card from the memory card slot of the device, press the edge of the memory card in gently, the card will pop out. Then remove the card.

Note: If the Micro SD card is not inserted or the card is not inserted correctly, the Micro SD card prompt icon, the number of photos that can be taken or the recording time will not appear on the display when the device is started. When the shutter button is pressed, the prompt "No card" will appear.

Basic operation

➤ Turn On And Turn Off

Long press the POWER button for 3 seconds to turn on the device. Long press the POWER button for 3

seconds again to turn off the device.

➤ **Night Vision Enhanced Mode**

Night vision enhancement mode is twice as bright as normal night vision mode;

In photo or video mode, select "360P enhanced night vision" in the Video/Photo Resolution of the menu to set.

Notice:The resolution of night vision enhancement mode is VGA, the image noise will be slightly larger and the digital zoom can not be used.

➤ **New and Special Color Effects:**

Luminous Green Color Effect & Film Color Effect.

These 2 color effects are available in both normal mode and infrared night vision mode.

Steps:

Short press "Power button" ->Luminous Green Color Effect,

Short press "Power button" ->Infrared light Color Effect,

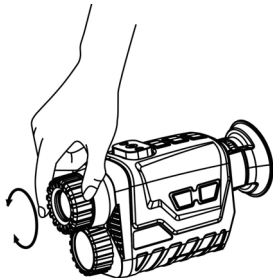
Short press "Power button" ->Get back to the normal color mode.

➤ **Eyepiece and objective adjustment**

After you turn on the device, please press the M button to enter the menu. Keep your eyes close to the eyepiece silicone cover, watch the clarity of the menu characters on the display and adjust the eyepiece diopter adjustment wheel according to your vision until you can see the menu display as clearly as possible (the eyepiece diopter adjustment wheel is adjusted to the right for short-sighted eyes and to the left for far-sighted eyes, and the normal vision is approximately adjusted to the middle position). Short press the M button again to exit the menu. Then look at the actual scene, rotate the focus wheel according to the distance to focus until the screen image is the clearest.




If the light is insufficient or using at night, please press the IR shift button to turn on the infrared light and select the IR gear according to the light at that time. The darker the light, the higher the gear (When you turn on the infrared light and need to adjust the Objective manual focus wheel, it is recommended to rotate the focusing wheel with your hand from the top of the night

vision device with your thumb and index finger, as shown as picture and not try to rotate the focusing wheel from below the night vision device, so as not to block the infrared light by hand and affect the distance and clarity of night vision). Long press the IR up button to zoom.

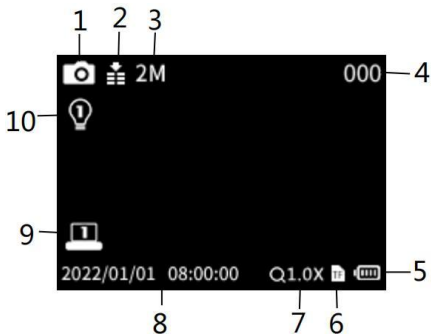


➤ **Changing The Modes**

The night version has 3 different modes : photo mode, video mode and playback mode. Press the M button can change mode.

	Photo Mode	For taking still photos.
	Video Mode	For recording video.
	Playback Mode	For playing the recorded files.

➤ **Taking pictures**



1 . Camera mode	2 . Night vision sensitivity
3 . Photo resolution	4 . Number of pictures that can be taken
5 . Battery status	6 . Micro SD card prompt
7 . Digital zoom indication	8 . Shooting time stamp
9 . Display brightness	10 . Infrared light gear

1. Turn on the device, the default is Video mode. Please long press the **M button** to switch to Camera mode.
2. Zooming: Keep pressing the \oplus or \ominus button to zoom in or zoom out the image. the value of magnification level appears on the LCD screen.
3. Take a still photo.
 - View your subject via the LCD screen.

-Adjust the focus by turning the focus wheel.

4. For night or insufficient light use,turn on the IR by pressing the IR Up/Zoom in/Up Button.Increase the brightness by pressing the button repeatedly.It has 7 levels of brightness(0) 1) 2) 3) 4) 5) 6) 7) 0...)The brightness can be adjusted according to your needs.The light is dark, gear to adjust to the higher.



- Press the Shot/OK button to take a photo.

➤ Recording Video



1 . Video mode	2 . Night vision sensitivity
3 . Video resolution	4 . Recording switch indication

5 . Available video recording time	6 . Battery status
7 . Micro SD card prompt	8 . Digital zoom indication
9 . Shooting time stamp	10 . Display brightness
11 . Infrared light gear	

1. Turn on the device,the default is Video mode. If not, long press the **M button** to switch to Video mode.
2. Zooming: Keep pressing the  or  button to zoom in or zoom out the image. The value of magnification level appears on the LCD screen.
3. Start to record video.
 - View your subject via the LCD screen.
 - Adjust the focus by turning the focus wheel
4. For night or insufficient light use,turn on the IR by pressing the IR button.Increase the brightness by pressing the button repeatedly.It has 7 levels of brightness(0) 1) 2) 3) 4) 5) 6) 7) 0...)The brightness can be adjusted according to your needs,darker and need adjusted more brightness.
 - Press the Shot button to start to record.The record duration will be shown on the LCD screen.

5. Finish recording.

- Press the Shot button again to stop recording.

- The device will stop recording automatically once capacity of the memory card is full.

Notice:

➤ Device Power Off

1 . If the device is fully charged and cannot be turned on or the screen cannot move during use and cannot be turned off, please insert a small hard strip such as toothpick or wire into the RST hole, when you feel the resistance, press it and then turn it on .

2 . Please use an universal USB power adapter* (DC 5V/2A) (*not included) to charge this device. After the TYPE-C USB is connected to the device, when the red light of the charging indicator of the device is on, long press the power button to turn on the device , unplug the TYPE-C USB to turn off the device ,which means that the built-in battery has no power and it needs to be fully charged.

➤ **Poor Image**

- ◆ If you wear glasses, remove them when using the device.
- ◆ If at day, make sure the IR is off (if IR is on, screen is black and white or the screen is colored)
- ◆ If at night, make sure you have turned on the IR, press IR up (if IR is on, screen is black and white).
- ◆ Adjust the focus by slowly turning the Focus wheel, make sure it is focused.

IR – LED (Night vision function)

1 . Regarding manual focusing: users can manually focus the focus wheel according to the actual observation distance to debug the best focus until the display is clear.

2 . In photo/video mode, if you have to view the darkness environment, please short press IR UP button to activate the IR LED, the image will change to black and white. The IR LED have seven levels, short press IR UP button to up the level, short press IR DOWN

button to down the level. (If the battery voltage is not enough, the IR LED level will down automatically. IR level can up to 7 levels when the battery power is full. If only left half power, the level just can up to 5. If only left 25% power, the level just can up to 3. If the battery power is lower than 25%, IR LED cannot be activated.)

➤ **Settings in Photo and Video Mode**

Short press M button in photo or video mode, can enter the menu to change the settings.

Menu	Function
Video Resolution	Set the video resolution. Options:360P enhanced night vision/HD/ FHD /4K
Photo Resolution	Set the photo resolution. Options:360P enhanced night vision/1M/ 2M /3M/ 5M /8M /12M/36M.
Night-vision sensitivity	Choose the night vision sensitivity. Options:[Low]/[Middle]/[High].
Screen brightness	Adjust the screen brightness as required. Options:[Level 1]/[Level 2]/[Level 3]/[Level 4]/ [Level 5]/[Level 6] /[Level 7].
Display	The display size can be selected

Mode	<p>according to your needs.</p> <p>Options :[Full]-- Full screen (Only the picture displayed on the screen is slightly elongated and deformed, the actual photos and video files taken are normal).</p> <p>[Normal]--16:9 Narrow screen display.</p>
Video Frame	<p>You can set different frame rates according to different scenes (the lower the frame rate, the higher the night vision brightness, but the more sluggish the video picture when moving).</p> <p>Options: Auto /5FPS/10FPS/15FPS/ 20FPS/ 25FPS /30FPS</p>
Audio	ON / Off.
Date Tag	ON / Off.
Time Setting	<p>Set the date and time of device.Press the up or down button to adjust the date or time, press the Shutter /OK button to move the cursor between settings , select "Yes" and press the Shutter /OK button to complete all Settings.</p>
Auto power-off	<p>Set the time to shut down the device for power saving if the device is idle.</p> <p>Options:[Off]/[1min]/[3min]/[5min]/[10min]</p>
Language	Set OSD (on-screen) language.

Setting	Options:[English]/[简体中文]/[繁体中文]/ [日本語]/[한국어]/[Русский]/[Français]/ [Deutsch]/[Italia]/[español]/ [Portugués]/ [Nederlands]/[čeština]/[Polski]/ [Türkiye]
Power Frequency	Set the light source frequency to match frequency of electricity supply in local region to prevent interference. Options:[50Hz]/[60Hz]
Date Label	Add the date stamp on the photo or video files. Options:[Yes]/[No].
Format	Format your Micro SD card. Format Micro SD will delete all files including the protected files. Please copy the important files before confirm. Options:[Yes]/[No].
Restore System	Restore the setup to factory default settings. Options:[Yes]/[No].
Version	User can see the firmware version information.

➤ Playback

- 1.Turn on the device, press the M button to switch to playback mode.
- 2.Press Up/Down button to view photos and video files.

3.Playback the video

- Press the Shot button to start playing the video files.
- Press the Shot button again to have a pause.
- Press M button to stop the current video playing.

Press M button in playback mode,the screen will display the playback menu.Press Up/Down button to scan lock or delete. And press Shot button to select one to enter the sub-menu.

Playback menu list :

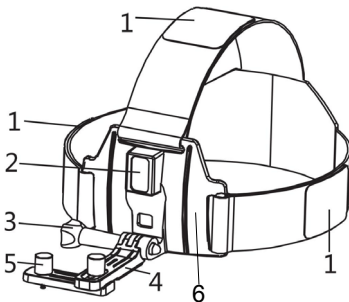
Menu	Function
Delete	Delete the current file in memory card. Options:[Yes]/[No].
Delete All	Delete all files in memory card. Options:[Yes]/[No].
Lock This	Lock the current file in memory card. Options:[Yes]/[No].
Unlock This	Unlock the current file in memory card. Options:[Yes]/[No].
lock All	Lock the all files in memory card. Options:[Yes]/[No].
Unlock All	Unlock the all files in memory card. Options:[Yes]/[No].

The Use Method Of Strapping Portable Head Mount

You can wear the night vision device on your head using the attached strapping portable head mount.

Components

1. Velcro
2. Magnetic buckle
3. Manual lever
4. Movable bracket
5. Manual screw
6. Head wear bracket



Steps of use

1. Align the manual screw of the strapping portable head mount with the bracket fixing screw hole of the night vision device and tighten it.
2. Put the strapping portable head mount on your head and tear the Velcro to adjust the appropriate size according to your head circumference.
3. Long press the power button to turn on the night

vision device, move the Movable bracket and the Manual lever to adjust the distance of the night vision device as required, please keep the silicone cover of the eyepiece close to your eyes until you can see the entire screen display of the night vision device. (If the eyepiece silicone cover is close to the eye, but still cannot see the whole screen, please move up/down/left/right to adjust the headset bracket, so that your eyes can face the screen in a straight line, until you see a full screen).

4. When walking or not using the night vision device, please turn the night vision device onto the Head wear bracket. When "click" is heard, it means that the magnetic buckle has caught the screw.

Download Files To Pc

There are two ways to download files from the device to a computer:

1. By inserting the memory card into a card reader.
2. By connecting the device to a computer using the supplied TYPE-C USB cable.

Using a Card Reader

1. Eject the memory card from the device and insert it into a card reader. Then connect the card reader to a computer.
2. Open [My Computer] or [Windows Explorer] and double-click the removable disk icon that represents the memory card.
3. Copy images from the card into a directory of your choice on the computer's hard disk.

Connecting the Device to a PC through the USB Cable

1. Turn on the night vision. Connect it to a computer through the supplied TYPE-C USB cable.
2. Select "Memory" on the screen of device, press the OK button to enter the removable disk mode.
3. Open [My Computer] or [Windows Explorer]. A "Removable Disk" appears in the drive list. Double-click the "Removable Disk" icon to view its contents. Files stored on the camera are located in the folder named "DCIM".
4. Copy the photos or files to your computer.

NOTES on Cleaning

Before cleaning the device, disconnect it from the power supply! Only use a dry cloth to clean the exterior of the device. To avoid damaging the electronics, do not use any cleaning fluid. Clean the eyepieces and/or lenses only with a soft, lint-free cloth, (e.g. microfibre cloth). To avoid scratching the lenses, use only gentle pressure with the cleaning cloth. Protect the device from dust and moisture. Store it in a bag or box.

Warm Tips

1 . This night vision device has a small lens angle and is mainly suitable for viewing remote environments. It is recommended not to wear the night vision device to walk, so as not to fall. When walking, please turn the night vision device up and absorb it to the helmet bracket.

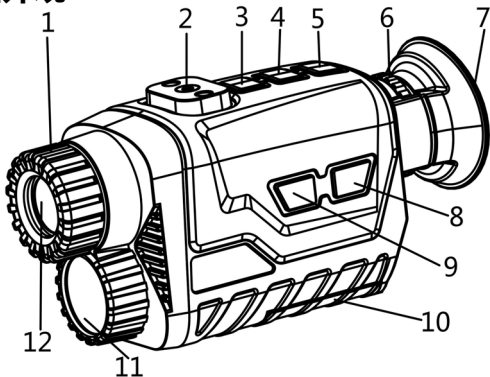
2 . This product is a monocular night vision device; In order to ensure the viewing effect, the eye must be close to the eyepiece when using, it is recommended to close your another eye.

使用说明书

目录

产品外观.....	25
规格参数.....	26
关于充电.....	27
插入内存卡.....	27
基本操作.....	28
开关机.....	28
夜视增强模式.....	28
颜色特效功能.....	29
目镜和物镜头调节.....	29
调整模式.....	30
拍照模式.....	30
录像模式.....	31
设备不开机:.....	33
图像不佳.....	34
IR - LED 夜视功能:.....	34
拍照和录像模式下菜单.....	35
回放.....	36
绑带便携式头戴支架的使用.....	37
下载文件到电脑.....	39
清洁机器.....	40

产品外观



1. 物镜手动调焦轮	2. 支架固定螺丝
3. IR 加档/放大/向上键	4. IR 减档/缩小/向下键
5. 快门键/确认键	6. 目镜屈光调节轮
7. 目镜/显示屏	8. 菜单键/模式键
9. 电源键	10. USB 接口/复位孔、充电指示灯/TF 卡槽
11. 红外灯发射器	12. 物镜

规格参数

照片分辨率：36M、12M、8M、5M、3M、2M、1M、360P 夜视增强(360P 夜视增强模式比普通模式的夜视亮度要高一倍)

视频分辨率：4K、FHD、HD、360P 夜视增强(360P 夜视增强模式比普通模式的夜视亮度要高一倍)

镜头：F1.2 大孔径 , $f=25\text{mm}$,自动红外滤光片 , $\text{FOV}=10^\circ$

目镜：沉浸式目镜设计，完全眼部贴合，减少外界杂光，可调节视力补偿（屈光调节范围正负 ± 8 ，既近视/远视 800 调节补偿)

显示屏：内置 1.4 英寸 390(RGB)*390 高清屏，可 7 档亮度调节

存储卡：TF 卡，最高支持 32GB

USB 接口：TYPE-C

自动关机：关闭/1 分钟/ 3 分钟/ 5 分钟/ 10 分钟

红外灯：3W，850nm 强红外聚光灯，7 档红外调节

观察距离：350 米~400 米全黑观察距离，1 米~无限远弱光观察距离

数码变焦：8 倍数码变焦

颜色特效：彩色、黑白、夜光绿、红外光

电源：内置 3000mAh 锂电池，可充电，可外接移动电源

语言：多种语言可选

日期印记：支持设置日期和时间。照片和视频文件上的日期和时间戳

操作按钮：5 个按钮

工作温度：-20°C to +50°C

储存温度：-30°C to +60°C

尺寸和重量：大约. 120*43*59 mm / 167g

配件：USB 线、说明书、手提绳、布袋、绑带便携式头戴支架

关于充电

机器本身具有内置的可充电电池，首次使用前请将其充满电。

请使用通用的 USB 电源适配器 (DC 5V / 2A) (电源适配器不包括在内) 为本机器充电。充电时，TYPE-C USB 端口左侧的充电指示灯将变为红色；充满电后，充电指示灯关闭。(若机器在完全没电的情况下充电，大概充 4 小时能充满。)

插入内存卡

◆ 请提前准备好一张 class 10 的 TF 卡 (最大支持 32GB) 。

- ◆ 打开 TF 卡槽盖可看见卡槽。
- ◆ 确保 TF 卡方向正确，插入 TF 卡，禁止强制插卡。
- ◆ 使用前先格式化 TF 卡，可提高电池寿命和快门速度以及 TF 卡的兼容性。
- ◆ 轻按 TF 卡边缘，可弹出 TF 卡。

注意：若没有插入 TF 卡或者卡没有插对，开机时显示屏不会出现 SD 卡提示图标和可拍照片张数或录像时间，按快门键时会出现“无 SD 卡”这样的提示。

基本操作

➤ 开关机

长按电源键 3 秒可开启夜视仪。再次长按电源键 3 秒可关闭夜视仪。

➤ 夜视增强模式

夜视增强模式比普通模式的夜视亮度要高一倍；在拍照或者在录像模式下，进菜单的分辨率选项里选择“360P 夜视增强”进行设定。

注：夜视增强模式的分辨率为 VGA，影像噪点会稍大，不能数码变焦。

➤ 颜色特效功能

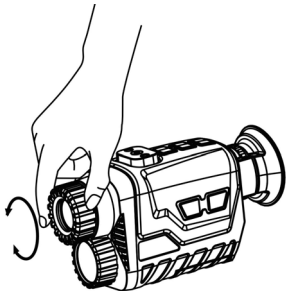
在正常彩色模式和开红外灯夜视黑白模式下都可分别开启颜色特效功能：

短按“电源键---》切换”夜光绿”颜色效果，
短按“电源键---》切换”红外光”颜色效果，
短按“电源键---》返回正常颜色模式。

➤ 目镜和物镜调节

开机后短按 M 键后进入菜单，眼睛贴近目镜硅胶罩，观看显示屏上菜单字符的清晰度，再根据您的视力调节目镜屈光调节轮，菜单显示达到最清楚为止（近视眼目镜屈光调节轮往右旋调，远视眼往左旋调，正常视力大约都调在中间位置）。再次按短按 M 键，退出菜单。再看实际景物，根据距离调节调焦轮进行调焦直至屏幕影像最清晰为止。




若光线不足或者是在晚使用时，请短按 IR 加档按键打开红外灯，请根据当时的光线选择 IR 档位。光线越暗，档位调节要越高（当开启红外灯后，需要调节物镜调焦轮时，建议手



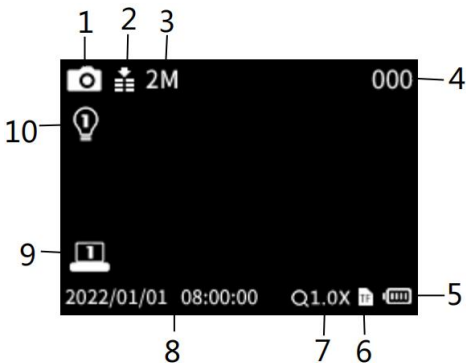
从夜视仪的上方用拇指和食指捏着调焦轮旋转进行调焦，如图所示，手尽量不要从夜视仪的下方去旋转调焦轮，以免红外灯被手挡住，影响夜视距离和清晰度）。长按 IR 向上键可变焦。

➤ 调整模式

此款夜视仪有 3 种模式: 拍照模式、录像模式和回放模式。长按菜单键/模式键可切换不同模式。



	拍照模式	拍摄静止图片
	录像模式	录制视频
	回放模式	回放图片/视频文件

➤ 拍照模式



1.拍照模式	6.TF 卡提示
2.夜视灵敏度	7.数码变焦指示
3.照片分辨率	8.拍照时间戳
4.可拍图片张数	9.显示屏亮度档位
5.电池电量	10.红外灯亮度档位

1. 开机后默认为录像模式，如要拍照，请长按 M 键切换至拍照模式。

2. 缩放: 长按  或  键可放大或缩小图像。缩放值会显示在 LCD 屏幕上。

3. 拍照

- 镜头对准目标物，通过屏幕观察。

-通过转动调焦轮调整聚焦,屏幕显示最清晰为准。

若在夜间或光线不足的情况下使用时，按下红外按钮打开红外灯。反复按下按钮，增加亮度。有 7 个亮度等级(0 > 1 > 2 > 3 > 4 > 5 > 6 > 7 > 0...)可根据实际的光线调整 IR 灯的档位。光线越暗，档位调节要越高。

- 按快门键拍摄照片。

➤ 录像模式



1.录像模式	7.TF 卡提示
2.夜视灵敏度	8.数码变焦指示
3.录像分辨率	9.拍摄时间戳
4.录音开关指示	10.显示屏亮度档位
5.可录像时长	11.红外灯亮度档位
6.电池电量	

1. 开机，开机后默认为录像模式，如果不是长按 M 键切换至录像模式。
2. 缩放：长按 \oplus 或 \ominus 键可放大或缩小图像。缩放值会显示在 LCD 屏幕上。
3. 开始录像
 - 镜头对准目标物，通过屏幕观察。
 - 若在夜间或光线不足的情况下使用时，按下红外按钮打

开红外。反复按下按钮,增加亮度。它有 7 个亮度等级(0 > 1 > 2 > 3 > 4 > 5 > 6 > 7 > 0...)可根据实际需要调整亮度。光线越暗,档位调节要越高。

- 按快门键开始录像。录像时长会显示在屏幕上。

4. 结束拍摄

- 再次按快门键停止录像。

- 当内存容量满时,机器将自动停止录像。

注意：

➤ 设备不开机:

1. 如果充满电设备不开机,或在使用中画面不动不能关机,需用如牙签铁丝等小小硬的条状物插入 RST 孔里感觉碰到阻力后按一下,有按键动作手感后再开机。

2. 请使用通用的 USB 电源适配器 (DC 5V / 2A) (电源适配器不包括在内) 为本机器充电。TYPE-C USB 线与机器连接后,当机器的充电指示红灯亮,长按开机键可开机,拔掉 TYPE-C USB 线关机表示内置电池没电,需要充满电。

➤ 图像不佳

- ◆ 如果您戴眼镜，请在使用设备时取下眼镜。
- ◆ 若在白天使用时，请确保红外灯已关闭（如果红外灯打开，则屏幕显示为黑白若红外灯关闭时屏幕显示为彩色）。
- ◆ 如果在晚上或者光线不足的情况下使用，请确保已打开 IR，然后向上按 IR（如果 IR 打开，则屏幕为黑白）根据实际情况调整最合适的亮度。
- ◆ 通过缓慢转动调焦轮来调节聚焦。确保已对焦。

➤ IR - LED 夜视功能:

1. 关于手动调焦：用户可以根据实际的观察距离手动调焦调焦轮调试最佳的焦距，直至显示清晰为止。
2. 在拍照/录像模式下，如需要观察较暗环境时，请短按 IR 加档按键打开红外灯，此时图像会变成黑白。红外灯共有 7 个档位，通过按 IR 加档键加档，按 IR 建档键时减档。（电池电压不够时也会自动减档：满电时可以开到 7 档，2 格电时只能开到 5 档，一格电时只能开到 3 档，低于一格电不能开红外灯）。

➤ 拍照和录像模式下菜单

在拍照和录像模式下，短按 M 键进入菜单可修改设置。

菜单	功能
录像分辨率	设置视频分辨率。 选项:360P 夜视增强/HD/FHD/4K
拍照分辨率	设置图片分辨率。选项:360P 夜视增强、1M、2M、3M、5M、8M、12M、36M
夜视灵敏度	选择夜视灵敏度。选项:[低]/[中]/[高]。
屏幕亮度	可根据需求调节屏幕亮度。选项:[亮度 1]/[亮度 2]/[亮度 3]/[亮度 4]/[亮度 5]/[亮度 6]/[亮度 7]
显示模式	可根据需要选择显示屏的显示模式。 选项:[全屏显示]--全屏显示(在屏上看到的画面稍微拉长变形,所拍摄的照片和视频文件是正常的)。 [原比例]--16:9 窄屏显示。
视频帧率	可以根据不同的场景选择设定不同的帧率(帧率越低,夜视亮度越高,但移动时视频画面越卡顿)。选项:自动/5FPS/10FPS/15FPS/20FPS/25FPS/30FPS
录音功能	开/关
时间标志	开/关

时间设定	设置机器的时间和日期。按向上或向下键调整时间，按快门键/确认键在设置之间移动光标，选到“是”按快门键/确认键完成所有设定。
自动关机	设置机器闲置时自动关机的时间，以便节省电量。选项:[关]/[1分钟]/[3分钟]/[5分钟]/[10分钟]
语言	选择屏幕显示语言。选项:[English]/[简体中文]/[繁体中文]/[日本語]/[한국어]/[Русский]/[Français]/[Deutsch]/[Italia]/[español]/[Portugués]/[Nederlands]/[čeština]/[Polski]/[Türkiye]
电源频率	根据你所在地区设置光源频率。 选项:[50Hz]/[60Hz]
格式化	格式化存储卡会删除包括锁定文件在内的全部文件。格式化前，请将重要文件拷贝到电脑中。选项:[是]/[否]
重设系统	恢复所有设置为出厂值。选项:[是]/[否]
软件版本	用户可以查看机器当前的固件版本信息

➤ 回放

1. 开机，长按 M 键切换至回放模式。
2. 按上/下键浏览照片和视频文件。

3. 回放视频

- 按快门键开始播放录像视频。
- 再次按快门键暂停播放。
- 短按 M 键停止播放当前视频。

回放模式下,短按 M 键显示回放菜单。按上/下键选择“文件锁定”和“文件删除”。按快门键确定选择一项菜单进入选项界面。按 M 键返回上一级。

回放模式下菜单:

菜单	功能
删除	删除当前文件。选项:确认/取消
删除所有	删除所有文件。选项:确认/取消
加锁当前	加锁当前文件。选项:确认/取消
解锁当前	解锁当前文件。选项:确认/取消
加锁全部	加锁全部文件。选项:确认/取消
解锁全部	解锁全部文件。选项:确认/取消

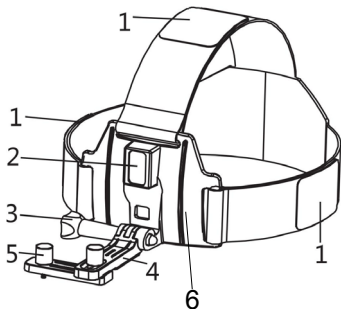
绑带便携式头戴支架的使用

你可以使用附带的绑带便携式头戴支架将夜视仪戴在头上使用。

元件

1. 魔术贴

2. 磁扣
3. 手动杆
4. 活动支架
5. 手动螺丝
6. 头戴支架



使用方法：

1. 将绑带便携式头戴支架的手动螺丝对准夜视仪的支架固定螺丝孔并拧紧。
2. 将便携式头戴支架戴到头上，根据自己的头围撕开魔术贴调整合适的尺寸。
3. 长按电源键开启夜视仪，根据需求移动活动支架和手动杆调整夜视仪的距离，让目镜硅胶罩贴近眼睛，直到能看到夜视仪全部屏幕显示（如果目镜硅胶罩已经贴近眼睛了，还是看不全屏幕的话，请分别向上/下/左/右挪动调整头戴支架，让眼睛能直线正视屏幕，直至能看到屏幕全屏显示为止）。
4. 走路或者不需要用夜视仪时，请把夜视仪上翻到头盔支架上。当听到“咔”则表示磁扣已吸附住螺丝。

下载文件到电脑

有两种方法可以将图像从夜视仪的存储卡下载到计算机中：

1. 将 TF 卡插入闪存读卡器中
2. 用附带的 TYPE-C USB 线将夜视仪与电脑相连。

使用读卡器

1. 将 TF 卡从机器中弹出，然后插入读卡器，连接到电脑。
2. 打开[我的电脑]或 Windows 资源管理器，双击代表存储卡的可移动磁盘。
3. 将文件从存储卡上拷贝到计算机中你选择的目录下。

通过 USB 线将摄像机连接到计算机

1. 开启夜视仪。通过 TYPE-C USB 线将机器连接到计算机。
2. 在屏幕上选中“存储器”，按快门/确认键确定后，进入可移动盘模式。。
3. 打开[我的电脑]或 Windows 资源管理器。双击代表存储卡的可移动磁盘。
4. 将文件从存储卡上拷贝到计算机中你选择的目录下。

清洁机器

在清洗机器之前，请先断开电源！

只需用一块干布清洁机器的外部。为了避免损坏机器，不要使用任何清洁液。清洁目镜和/或镜片时，请使用柔软的无绒布(如超细纤维布)。为了避免刮伤镜片，只需用清洁布轻轻按压即可。

保护好机器免受灰尘和潮湿，用袋子储存或者储存在包装盒内。

温馨提示:

1. 本夜视仪镜头视角较小,主要适用于观看远距离的环境，建议不要戴上夜视仪行走,以免摔跤,走路时请把夜视仪上翻到头盔支架上。
2. 本产品为单目夜视仪；为保证观看效果，在使用时，眼睛必须贴近目镜，建议闭上另一只眼睛。

