

User Manual

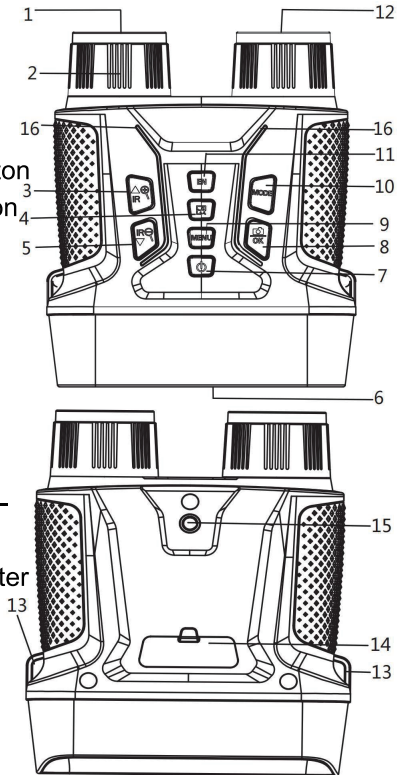


Contents

PRODUCT OVERVIEW	2
SPECIFICATION	3
ABOUT CHARGE	4
INSERTING MEMORY CARD	5
BASIC OPERATION	6
TURN ON AND TURN OFF	6
NIGHT VISION ENHANCED MODE	6
NEW AND SPECIAL COLOR EFFECTS:	7
ADJUST THE DISPLAY	7
CHANGING THE MODES	8
TAKING PICTURES	8
RECORDING VIDEO	10
DEVICE POWER OFF	11
POOR IMAGE	12
IR – LED (NIGHT VISION FUNCTION)	12
SETTINGS IN PHOTO AND VIDEO MODE	13
PLAYBACK	15
DOWNLOAD FILES TO PC	17
NOTES ON CLEANING	18

Product Overview

1. Objective lens
2. Lens focus wheel
3. IR Up/Zoom in/Up Button
4. Effect conversion button
5. IR Down/Zoom out/Down Button
6. Eyepiece/Display
7. Power Button
8. Shot/OK button
9. Menu Button
10. Mode Button
11. Night Vision Enhancement button
12. Infrared light transmitter
13. Strap Hole
14. USB port/charging indicator/reset port/memory card slot cover
15. Tripod fixing screw
16. Power indicator (LED decorative strip)



Specification

Photo Resolution: 36M、12M、8M、5M、3M、2M、1M、480P enhanced night vision

Video Resolution: 4K、FHD、HD、480P enhanced night vision

Lens:F1.2 large aperture, F =25mm, automatic infrared filter

Video frame rate: automatic / 5 FPS / 10 FPS / 15 FPS / 20 FPS / 25 FPS / 30 FPS, can choose according to different scenarios set up different frame rate (the lower frame rate, the higher the night vision brightness)

Lens: F1.2 Large aperture, focal length f=25MM, automatic infrared filter

Lens Angle: FOV=10°, diameter 24mm

Display: 4.5" 480*854 HD TFT, 7 levels of brightness adjustment

Memory card: Micro SD card up to 32GB

USB port: TYPE-C

Auto Power Off: Off/1min/3min/5min/10min

Infrared light: 3W, 850nm strong infrared spotlight, 7

levels of infrared adjustment

Viewing distance in complete darkness: about 350-400 meters

Low-light sight distance: 3 meters to infinity

Digital zoom: 8x digital zoom

Color effects: color, black and white, luminous green, infrared light

Power supply: 4000MAH

Language: Multiple languages are available

Date Stamp: Supports setting date and time. Date and time stamp on photo and video files

Operation buttons: 8 buttons

Operating temperature: -20 ° C to +50 ° C Storage temperature -30 ° C to +60 ° C

Size and weight: 163*132*69mm /470 g

About Charge

The device has a built-in rechargeable battery, please fully charge it before first use.

Please use a universal USB power adapter* (DC 5V/2A) (*not included) to charge this machine. When charging, the

charging indicator on the right side of the TYPE-C USB port will turn to red color; when fully charged, the charging indicator will turn to blue color. (If the device is completely out of power, it can be fully charged in about 6 hours)

Inserting Memory Card

- ◆ Please prepare a Class 10 Micro card (up to 32GB) in advance.
- ◆ Open the card slot cover, you will see the card slot.
- ◆ Insert the Micro SD card into the slot. Make sure the direction is right. Never insert the card forcibly.
- ◆ Format the Micro SD card, this can improve the compatibility of Micro SD card.
- ◆ To remove the card from the memory card slot of the device, press the edge of the memory card in gently, the card will pop out. Then remove the card.

Notice: If the Micro SD card is not inserted or the card is not inserted correctly, after power on it will prompt “NO CARD” and the icon of the card with X is displayed in the lower right corner. The number of pictures that can be taken or the

recording time at the top right will be displayed as 0. When pressing the shutter button, the prompt "No card inserted" will appear again.

Basic operation

➤ Turn On And Turn Off

Long press the POWER button for 3 seconds to turn on the device. Long press the POWER button for 3 seconds again to turn off the device.

➤ Night Vision Enhanced Mode

The enhanced night vision mode is twice as bright as the normal night vision mode.

When the photo mode or video mode, short press the Night Vision Enhancement button to quickly switch to night vision enhancement mode; You can also select "480P Enhanced Night Vision" in the resolution option of the menu to set.

Notice:The resolution of night vision enhancement mode is VGA, the image noise will be slightly larger and the digital zoom can not be used.

➤ **New and Special Color Effects:**

Luminous Green Color Effect & Film Color Effect.

These 2 color effects are available in both normal mode and infrared night vision mode.

Steps:

Press “Effect conversion”->Luminous Green Color Effect,
Press “Effect conversion” ->Infrared light Color Effect,
Press “Effect conversion” ->Get back to the normal color mode.




➤ **Adjust the display**

After you turn on the device, please press the MENU button to enter the menu. When you viewing the eyepiece/ display screen if the MENU font is not clear enough, please adjust the eyepiece diopter adjustment wheel until the MENU font looks clear, press the MENU button again to exit the MENU. Then adjust the focus wheel to focus according to the actual distance of the viewed scene until the screen is the clearest. If the light is insufficient or using at night, please press the IR Up/Zoom in/Up Button to turn on the infrared light and please select the IR gear according to the light at that time.

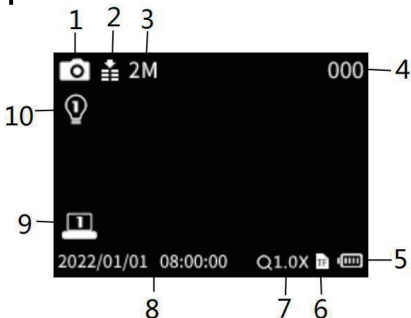
The darker the light, the higher the gear adjustment. Long press the IR Up/Zoom in/Up Button to zoom.

➤ Changing The Modes

The night version has 3 different modes : photo mode, video mode and playback mode. Press the Mode button can change mode.

	Photo Mode	For taking still photos.
	Video Mode	For recording video.
	Playback Mode	For playing the recorded files.

➤ Taking pictures



1.	Camera mode	2.	Night vision sensitivity
3.	Photo resolution	4.	Number of pictures that

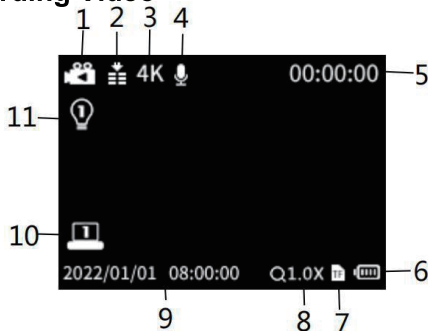
			can be taken
5.	Battery status	6.	Micro SD card prompt
7.	Digital zoom indication	8.	Shooting time stamp
9.	Display brightness	10.	Infrared light gear

1. Turn on the device, the default is Video mode. Please press the Mode button to switch to Camera mode.
2. Zooming: Long pressing the ⊕ or ⊖ button to zoom in or zoom out the image, the value of magnification level appears on the LCD screen.
3. Take a still photo.
 - View your subject via the LCD screen.
 - Adjust the focus by turning the focus wheel.

For night or insufficient light use, turn on the IR by pressing the IR Up/Zoom in/Up Button. Increase the brightness by pressing the button repeatedly. It has 7 levels of brightness (0) 1) 2) 3) 4) 5) 6) 7) 0...) The brightness can be adjusted according to your needs. The darker the light, the higher the gear adjustment.

 - Press the Shot/OK button to take a photo.

➤ Recording Video



1.	Video mode	2.	Night vision sensitivity
3.	Video resolution	4.	Recording switch indication
5.	Available video recording time	6.	Battery status
7.	Micro SD card prompt	8.	Digital zoom indication
9.	Shooting time stamp	10.	Display brightness
11.	Infrared light gear		

1. Turn on the device, the default is Video mode. If not, press the Mode button to switch to Video mode.

2. Zooming: Long pressing the \oplus or \ominus button to zoom in or zoom out the image. The value of magnification level appears on the LCD screen.

3. Start to record video.

- View your subject via the LCD screen.

-Adjust the focus by turning the focus wheel

For night or insufficient light use,turn on the IR by pressing the IR button.Increase the brightness by pressing the button repeatedly.It has 7 levels of brightness(0) 1) 2) 3) 4) 5) 6) 7) 0...)The brightness can be adjusted according to your needs,darker and need adjusted more brightness.

- Press the Shot button to start to record.The record duration will be shown on the LCD screen.

4. Finish recording.

- Press the Shot button again to stop recording.

- The device will stop recording automatically once capacity of the memory card is full.

➤ **Device Power Off**

1. If the device is fully charged and cannot be turned on or the screen cannot move during use and cannot be turned off,please insert a small hard strip such as toothpick or wire into the RST hole, when you feel the resistance, press it and then turn it on .

2. Please use an universal USB power adapter* (DC 5V/2A) (*not included) to charge this device. After the TYPE-C USB is connected to the device, when the red light of the charging indicator of the device is on, long press the power button to turn on the device , unplug the TYPE-C USB to turn off the device ,which means that the built-in battery has no power and it needs to be fully charged.

➤ **Poor Image**

- ◆ If at day, make sure the IR is off (if IR is on,screen is black and white or the screen is colored)
- ◆ If at night, make sure you have turned on the IR,press IR Up/Zoom in/Up Button (if IR is on,screen is black and white).Adjust the most appropriate brightness according to your need.
- ◆ Adjust the focus by slowly turning the Focus wheel, make sure it is focused.

IR – LED (Night vision function)

1. Regarding manual focusing: users can manually focus

the focus wheel according to the actual observation distance to debug the best focus until the display is clear.

2. In photo/video mode, if you have to view the darkness environment, please short press IR UP button to activate the IR LED, the image will change to black and white. The IR LED have seven levels, short press IR UP button to up the level, short press IR DOWN button to down the level.

(If the battery voltage is not enough, the IR LED level will down automatically. IR level can up to 7 levels when the battery power is full. If only left half power, the level just can up to 5. If only left 25% power, the level just can up to 3. If the battery power is lower than 25%, IR LED cannot be activated.)

➤ **Settings in Photo and Video Mode**

Press Menu button in photo or video mode, can change the settings.

Menu	Function
Video Resolution	Set the video resolution. Options: 480P ENV/ 4K / FHD/HD.

Photo Resolution	Set the photo resolution. Options:480P ENV、1M、 2M、 3M、 5M、 8M、 12M、 36M.
Night vision sensitivity	Choose the night vision sensitivity. Options:[Low]/[Middle]/[High].
Power light	Press the Shot/OK button to select or cancel.
Video Frame	You can set different frame rates according to different scenes (the lower the frame rate, the higher the night vision brightness, but the more sluggish the video picture when moving) Options: Auto /5FPS/ 10FPS/ 15FPS/ 20FPS/ 25FPS /30FPS
Audio	Press the Shot/OK button to select or cancel.
Date Tag	Press the Shot/OK button to select or cancel.
Time Setting	Set the date and time of device.Press the up or down button to adjust the date or time. press the MODE button to move the cursor between settings , press the Shot/ OK button to complete all Settings
Auto Power-Off	Set the time to shut down the device for power saving if the device is idle. Options:[OFF]/[1min]/[3min]/[5min]/[10min].
Language Setting	Set OSD (on-screen) language. Options:[English]/[简体中文]/[繁体中文]/[日本

	语]/[한국어]/[Русский]/ [Français]/ [Deutsch] / [Italia]/[Español]/[Portugués]/[Nederlands]/ [Čeština]/[Polski]/ [Türkiye]
Power frequency	Set the light source frequency to match frequency of electricity supply in local region to prevent interference. Options:[50Hz]/[60Hz].
Format	Format your Micro SD card. Format Micro SD will delete all files including the protected files. Please copy the important files before confirm. Options:[Confirm]/[Cancel].
Reset System	Restore the setup to factory default settings. Options:[Confirm]/[Cancel].
Version	User can see the firmware version information.
Screen Brightness	Adjust the screen brightness as required. Options:[Level1]/[Level 2] /[Level 3] /[Level 4]/[Level 5]/[Level 6] /[Level 7].

➤ Playback

- 1.Turn on the device, press the Mode button to switch to playback mode.
- 2.Press Up/Down button to view photos and video files.
- 3.Playback the video

- Press the Shot/OK button to start playing the video files.
- Press the Shot/OK button again to have a pause.
- Press Menu button to stop the current video playing.

Press Menu button in playback mode, the screen will display the playback menu. Press Up/Down button to scan lock or delete. And press Shot/OK button to select one to enter the sub-menu.

Playback menu list :

Menu	Function
Delete	Delete the current one file in memory card. Options:[Confirm]/[Cancel].
Delete All	Delete all files in memory card. Options:[Confirm]/[Cancel].
Lock This	Lock the current file in memory card. Options:[Confirm]/[Cancel].
Unlock This	Unlock the current file in memory card. Options:[Confirm]/[Cancel].
Unlock All	Unlock the all files in memory card. Options:[Confirm]/[Cancel].

Download files to PC

There are two ways to download files from the device to a computer:

- By inserting the memory card into a card reader.
- By connecting the device to a computer using the supplied TYPE-C USB cable.

Using a Card Reader

1. Eject the memory card from the device and insert it into a card reader. Then connect the card reader to a computer.
2. Open [My Computer] or [Windows Explorer] and double-click the removable disk icon that represents the memory card.
3. Copy images from the card into a directory of your choice on the computer's hard disk.

Connecting the Device to a PC through the USB Cable

1. Turn on the night vision. Connect it to a computer through the supplied TYPE-C USB cable.
2. Select the "Memory" on the screen and press the OK

button to enter the removable disk mode.

3. Open [My Computer] or [Windows Explorer].

A "Removable Disk" appears in the drive list. Double-click the "Removable Disk" icon to view its contents. Files stored on the camera are located in the folder named "DCIM".

4. Copy the photos or files to your computer.

NOTES on Cleaning

Before cleaning the device, disconnect it from the power supply! Only use a dry cloth to clean the exterior of the device. To avoid damaging the electronics, do not use any cleaning fluid. Clean the eyepieces and/or lenses only with a soft, lint-free cloth, (e.g. microfibre cloth). To avoid scratching the lenses, use only gentle pressure with the cleaning cloth. Protect the device from dust and moisture. Store it in a bag or box.

使用说明书

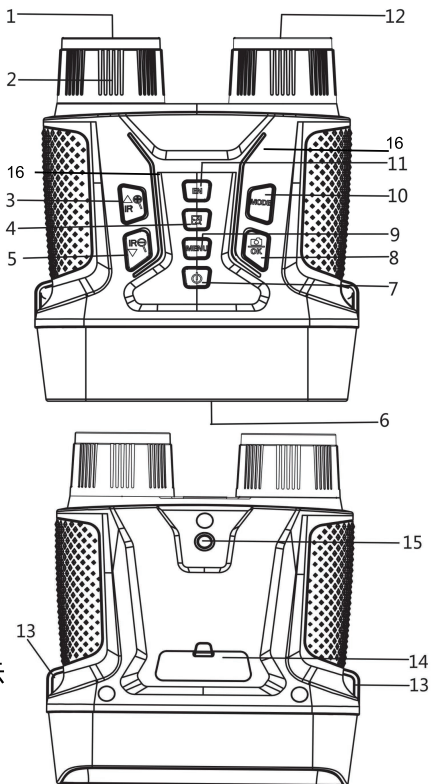


目录

产品外观.....	21
规格参数.....	22
关于充电.....	23
插入内存卡.....	23
基本操作.....	24
开关机.....	24
夜视增强模式.....	24
颜色特效功能.....	24
显示屏调节.....	25
调整模式.....	25
拍照模式.....	26
录像模式.....	27
设备不开机:.....	28
图像不佳.....	29
IR - LED 夜视功能:.....	29
拍照和录像模式下菜单.....	30
回放.....	31
回放模式下菜单:.....	32
下载文件到电脑.....	32
清洁机器.....	33

产品外观

1. 物镜
2. 手动调焦轮
3. IR 加档/放大/向上键
4. 特效转换键
5. IR 减档/缩小/向下键
6. 目镜/显示屏
7. 电源键
8. 快门键/确认键
9. 菜单键
10. 模式键
11. 夜视增强键
12. 红外发射器
13. 挂绳孔
14. USB 接口/充电指示灯/复位孔/TF 卡槽盖
15. 三脚架固定螺丝
16. 电源指示灯 (LED 装饰条)



规格参数

- 照片分辨率: 36M、12M、8M、5M、3M、2M、1M、480P
夜视增强
- 视频分辨率: 4K、FHD、HD、480P 夜视增强
- 视频帧率: 自动 /5FPS/10FPS/15FPS/20FPS/25FPS /30FPS, 可以根据不同的场景选择设定不同的帧率 (帧率越低, 夜视亮度越高)
- 镜头: F1.2 大孔径, 焦距 $f=25\text{MM}$, 自动红外滤光片
- 镜头角度: $\text{FOV}=10^\circ$, 口径 24mm
- 显示屏: 4.5 英寸 480*854 高清 TFT, 可 7 档亮度调节
- 存储卡: TF 卡, 最高支持 32GB
- USB 接口: TYPE-C
- 自动关机: 关闭/1 分钟/ 3 分钟/ 5 分钟/ 10 分钟
- 红外灯: 3W, 850nm 强红外聚光灯, 7 档红外调节
- 完全黑暗中的视距: 大约 350-400 米
- 微光视距: 3 米 ~ 无穷远
- 数码变焦: 8 倍数码变焦
- 颜色特效: 彩色、黑白、夜光绿、红外光
- 电源: 内置 4000mAh 锂电池
- 语言: 多种语言可选
- 日期印记: 支持设置日期和时间。照片和视频文件上的日

期和时间戳

- 操作按钮：8 个按钮
- 工作温度：-20°C to +50°C 储存温度 -30°C to +60°C
- 尺寸和重量：约 163*132*69mm /470g

关于充电

机器本身具有内置的可充电电池，首次使用前请将其充满电。请使用通用的 USB 电源适配器*（DC 5V / 2A）（*不包括在内）为本机器充电。充电时，TYPE-C USB 端口右侧的充电指示灯将变为红色；充满电后，充电指示灯变为蓝色。（若机器在完全没电的情况下充电，大概充 6 小时能充满。）

插入内存卡

- ◆ 请提前准备好一张 class 10 的 TF 卡（最大支持 32GB）。
- ◆ 打开 TF 卡槽盖可看见卡槽。
- ◆ 确保 TF 卡方向正确，插入 TF 卡，禁止强制插卡。
- ◆ 使用前先格式化 TF 卡，可提高电池寿命和快门速度以及 TF 卡的兼容性。
- ◆ 轻按 TF 卡边缘，可弹出 TF 卡。

注意：若没有插入 TF 卡或者卡没有插对，开机后显示屏上显

示“未插卡”及右下方显示带 x 的卡图标，右上方的可拍照片张数或录像时间显示为 0，按快门键时会出现“未插卡”这样的提示。

基本操作

➤ 开关机

长按电源键 3 秒可开启夜视仪。再次长按电源键 3 秒可关闭夜视仪。

➤ 夜视增强模式

夜视增强模式比普通模式的夜视亮度要高一倍；在拍照或者在录像模式下，短按夜视增强键可快速切换到夜视增强模式；也可以在菜单的录像/拍照分辨率选项里选择“480P 夜视增强”进行设定。

注：夜视增强模式的分辨率为 VGA，影像噪点会稍大，不能数码变焦。

➤ 颜色特效功能

在正常彩色模式和开红外灯夜视黑白模式下都可分别开启颜色特效功能：


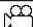

按“颜色特效”键---》切换“夜光绿”颜色效果，
按“颜色特效”键---》切换“红外光”颜色效果，
按“颜色特效”键---》返回正常颜色模式。

➤ 显示屏调节

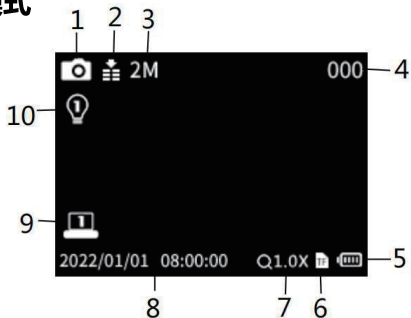
开机后按 MENU 键后进入菜单，观看目镜/显示屏上菜单字符的清晰度，根据不同人的视力，拉开或拉近夜视仪，把显示屏字符调节到最清晰为止，找到夜视仪距离眼睛的大约位置。再次按 MENU 键，退出菜单。再看实际景物，根据距离调节调焦轮进行调焦直至屏幕影像最清晰为止。若光线不足或者是在晚上使用时，请短按 IR 加档按键打开红外灯，请根据当时的光线选择 IR 档位。光线越暗，档位调节要越高。长按 IR 向上键可变焦。

➤ 调整模式

此款夜视仪有 3 种模式：拍照模式，录像模式和回放模式。按模式键可切换不同模式。

	拍照模式	拍摄静止图片
	录像模式	录制视频
	回放模式	回放图片/视频文件

➤ 拍照模式



1. 拍照模式	6. TF 卡提示
2. 夜视灵敏度	7. 数码变焦指示
3. 照片分辨率	8. 拍照时间戳
4. 可拍图片张数	9. 显示屏亮度档位
5. 电池电量	10. 红外灯亮度档位

1. 开机后默认为录像模式，如要拍照，请按模式键切换至拍照模式。

2. 缩放: 长按 ⊕ 或 ⊖ 键可放大或缩小图像。缩放值会显示在 LCD 屏幕上。

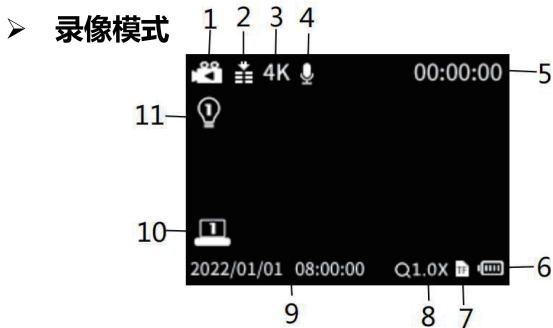
3. 拍照

- 镜头对准目标物，通过屏幕观察。

-通过转动调焦轮调整聚焦,屏幕显示最清晰为准

若在夜间或光线不足的情况下使用时,短按 IR 加档/放大/向上键打开红外灯。反复按下按钮,增加亮度。有 7 个亮度等级(0 > 1 > 2 > 3 > 4 > 5 > 6 > 7 > 0...)可根据实际的光线调整 IR 灯的档位。光线越暗,档位调节要越高。

- 按快门键拍摄照片。



1.	录像模式	7.	TF 卡提示
2.	夜视灵敏度	8.	数码变焦指示
3.	录像分辨率	9.	拍摄时间戳
4.	录音开关指示	10.	显示屏亮度档位
5.	可录像时长	11.	红外灯亮度档位
6.	电池电量		

1. 开机，开机后默认为录像模式，如果不是按模式键切换至录像模式。

2. 缩放：长按 ⊕ 或 ⊖ 键可放大或缩小图像。缩放值会显示在 LCD 屏幕上。

3. 开始录像

- 镜头对准目标物，通过屏幕观察。

- 若在夜间或光线不足的情况下使用时，短按 IR 加档/放大/向上键打开红外。反复按下按钮，增加亮度。它有 7 个亮度等级(0 > 1 > 2 > 3 > 4 > 5 > 6 > 7 > 0...)可根据实际需要调整亮度。光线越暗，档位调节要越高。

- 按快门键开始录像。录像时长会显示在屏幕上。

4. 结束拍摄

- 再次按快门键停止录像。

- 当内存容量满时，机器将自动停止录像。

➤ 设备不开机：

1. 如果充满电设备不开机，或在使用中画面不动不能关机，需用如牙签铁丝等小小硬的条状物插入 RST 孔里感觉碰到阻力后按一下，有按键动作手感后再开机。

2. 请使用通用的 USB 电源适配器* (DC 5V / 2A) (*不包括

在内) 为本机器充电。TYPE-C USB 线与机器连接后, 当机器的充电指示红灯亮, 长按开机键可开机, 拔掉 TYPE-C USB 线关机表示内置电池没电, 需要充满电。

➤ 图像不佳

◆ 若在白天使用时, 请确保红外灯已关闭(如果红外灯打开, 则屏幕显示为黑白若红外灯关闭时屏幕显示为彩色)

如果在晚上或者光线不足的情况下使用, 请确保已打开 IR, 然后短按 IR 加档/放大/向上键(如果 IR 打开, 则屏幕为黑白) 根据实际情况调整最合适的亮度。

◆ 通过缓慢转动调焦轮来调节聚焦。确保已对焦。

➤ IR - LED 夜视功能:

1. 关于手动调焦: 用户可以根据实际的观察距离手动调焦调焦轮调试最佳的焦距, 直至显示清晰为止。

2. 在拍照/录像模式下, 如需要观察较暗环境时, 请短按 IR 加档按键打开红外灯, 此时图像会变成黑白。红外灯共有 7 个档位, 通过按 IR 加档/放大/向上键加档, 按 IR 减档/缩小/向下键时减档, 一直按此键将关闭 IR 灯。(电池电压不够时也会自动减档: 满电时可以开到 7 档, 2 格电时只能开到 5 档, 一格电时只能开到 3 档, 低于一格电不能开红外灯)。

➤ 拍照和录像模式下菜单

在拍照和录像模式下，按菜单键可修改设置。

菜单	功能
录像分辨率	设置视频分辨率。 选项:480P 夜视增强/HD/FHD/4K
拍照分辨率	设置图片分辨率。选项:480P 夜视增强、1M、2M、3M、5M、8M、12M、36M
夜视灵敏度	选择夜视灵敏度。选项:[低]/[中]/[高]。
电源指示灯	可按 OK 键进行选择或者取消
视频帧率	可以根据不同的场景选择设定不同的帧率（帧率越低，夜视亮度越高，但移动时视频画面越卡顿）。选项:自动/5FPS/ 10FPS/ 15FPS/ 20FPS/ 25FPS /30FPS
录音功能	可按 OK 键进行选择或者取消
时间标志	可按 OK 键进行选择或者取消
时间设定	设置机器的时间和日期。按向上或向下键调整时间，按 MODE 键在设置之间移动光标，按 OK 键完成所有设定，
自动关机	设置机器闲置时自动关机的时间，以便节省电量。选项:[关]/[1 分钟]/[3 分钟]/[5 分钟]/[10 分钟]。
语言	选择屏幕显示语言。选项:[English]/[简体中文]/[繁体中文]/[日本語]/[한국어]/[Русский]/

	[Français]/[Deutsch]/[Italia]/[Español]/[Portugués]/[Nederlands]/[Čeština]/[Polski]/ [Türkiye]
电源频率	根据你所在地区设置光源频率。 选项:[50Hz]/[60Hz]。
格式化	格式化存储卡会删除包括锁定文件在内的全部文件。格式化前, 请将重要文件拷贝到电脑中。 选项:[确认]/[取消]。
重设系统	恢复所有设置为出厂值。选项:[确认]/[取消]。
软件版本	用户可以查看机器当前的固件版本信息。
屏幕亮度	可调节显示屏亮度, 可根据需求调节屏幕亮度。 选项:[亮度 1]/[亮度 2]/[亮度 3]/[亮度 4]/[亮度 5]/[亮度 6]/[亮度 7]

➤ 回放

1. 开机, 按模式键切换至回放模式。
2. 按上/下键浏览照片和视频文件。
3. 回放视频
 - 按快门键开始播放录像视频。
 - 再次按快门键暂停播放。
 - 按菜单键停止播放当前视频。
4. 回放模式下, 按菜单键显示回放菜单。按上/下键选择“文

件锁定”和“文件删除”。按快门键确定选择一项菜单进入选项界面。按菜单键返回上一级。

回放模式下菜单:

菜单	功能
删除	删除当前文件。选项:[确认]/[取消]
删除所有	删除所有文件。选项:[确认]/[取消]
加锁当前	加锁当前文件。选项:[确认]/[取消]
解锁当前	解锁当前文件。选项:[确认]/[取消]
全部解锁	解锁全部文件。选项:[确认]/[取消]

下载文件到电脑

有两种方法可以将图像从夜视仪的存储卡下载到计算机中:

1. 将 TF 卡插入闪存读卡器中
2. 用附带的 TYPE-C USB 线将夜视仪与电脑相连。

使用读卡器

1. 将 TF 卡从机器中弹出，然后插入读卡器，连接到电脑。
2. 打开[我的电脑]或 Windows 资源管理器，双击代表存储卡的可移动磁盘。
3. 将文件从存储卡上拷贝到计算机中你选择的目录下。

通过 USB 线将摄像机连接到计算机

1. 开启夜视仪。通过 TYPE-C USB 线将机器连接到计算机。
2. 在屏幕上选中“存储器”，按 OK 键确定后，进入可移动磁盘模式。
3. 打开[我的电脑]或 Windows 资源管理器。双击代表存储卡的可移动磁盘。
4. 将文件从存储卡上拷贝到计算机中你选择的目录下。

清洁机器

在清洗机器之前，请先断开电源！

只需用一块干布清洁机器的外部。为了避免损坏机器，不要使用任何清洁液。清洁目镜和/或镜片时，请使用柔软的无绒布（如超细纤维布）。为了避免刮伤镜片，只需用清洁布轻轻按压即可。

保护好机器免受灰尘和潮湿，用袋子储存或者储存在包装盒内。

